

# RMF 40 PULSE VALVE

Valves for Dust Collector Service

**Kushako**

## RMF 40

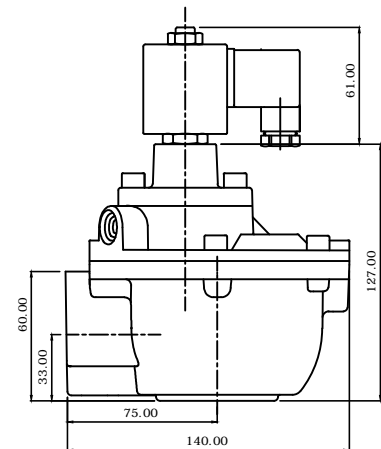
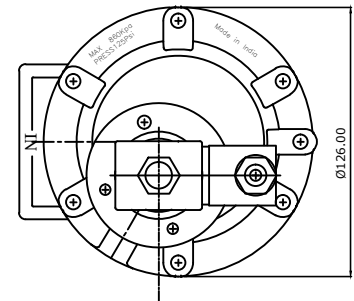


### APPLICATION DETAILS

FLUID (MEDIUM) CONTROLLED	COMPRESSED AIR		
ADDITIVES ETC.	N/A		
FLUID (MEDIUM) TEMPERATURE	MAX : 85° C	MIN : -20° C	
VISCOSITY	MAX : N/A	MIN : N/A	
ALLOWABLE LEAKAGE	ZERO (BUBBLE TIGHT)		
OPERATING PRESSURE	MAX : 8.5 BAR	MIN : 0.35 BAR	NORMAL : 7 BAR
AMBIENT TEMPERATURE	MAX : 85° C	NORMAL : 55° C	
ALLOWABLE PRESSURE DROP	10% OF INLET PRESSURE		

### ELECTRICAL DETAILS

MAKE	KUSHAKO
MODEL	RMF-40
VOLTAGE	230 V AC :- ±10%, 50Hz, Single Phase. 24 V DC :- ±10%, 50Hz, Single Phase.
COIL CONSTRUCTION	EPOXY MOULDED / PLASTIC MOULDED
COIL CLASS	CLASS - F, SUB CLASS - FT
COIL TERMINATION	EMBEDDED SCREWED / 3 PIN TERMINAL
COIL ENCLOSURE	MILD STEEL WATER PROOF ENCLOSURE WITH EMBEDDED SCREW REMINAL COIL / PLASTIC MOULDED
TYPE OF PROTECTION	IP 67 / IP 65
CABLE ENTRY	1/2" NPT CONDUIT CONNECTION / DIN CONNECTOR (AS PER I.S.O Std.)
MOUNTING	SUITABLE FOR ANY POSITION
DUTY	ON - OFF DUTY, ON TIME : 20 TO 200 MSEC (ADJ.) / OFF TIME : 2 TO 60 SEC (ADJ.)
POWER CONSUMPTION	230 VAC 6 W , 24 VDC 8 W.
INRUSH VA	54
<b>VALVE CONSTRUCTION :</b>	
a) FORM OF FLOW	2/2 NORMALLY CLOSED
b) VALVE BODY	DIE CAST ALUMINIUM
c) VALVE SEATS / DIAPHRAGM	HI-NITRILE RUBBER
d) PIPE SIZE	1-1/2" (40NB)
e) THREADED PIPE CONNECTION	ISO 228 / 1 (G)
f) ORIFICE	40 MM
g) KV (FLOW FACTOR)	42 M <sup>3</sup> / Hr.



Manufactured by :

**Kushako India**

Office : 490, Narayan Peth, Opp. Pune Marathi Granthalaya, Pune - 411030. (Maharashtra), Website : [www.kushakoindia.com](http://www.kushakoindia.com)

Works : Sr.No. 25/1A, Village Nanded, Sinhgad Road, Tal - Haveli, Dist. Pune -411041

Tel. No :9011389777, 7620674777

E-mail : [kushako.india@gmail.com](mailto:kushako.india@gmail.com) / [kushakoindia1992@gmail.com](mailto:kushakoindia1992@gmail.com)

